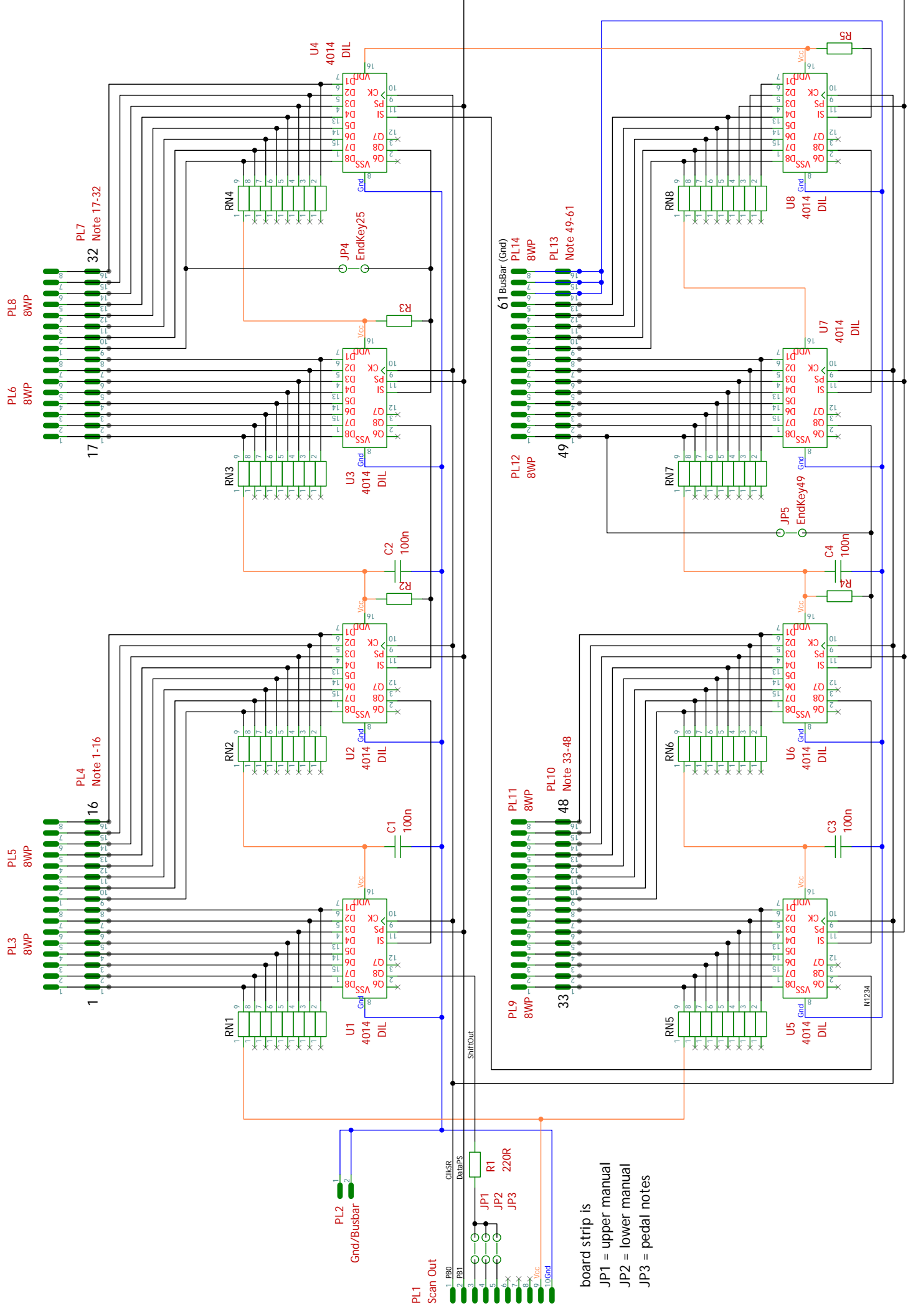


Scan4014-61 inline-Version 1.1 (neu)



PL1
Scan Out
1 P80
2 P81
3 C1&S
4 DataPS
5 JP1
6 JP2
7 JP3
8 Vcc
9 Gnd

board strip is
JP1 = upper manual
JP2 = lower manual
JP3 = pedal notes