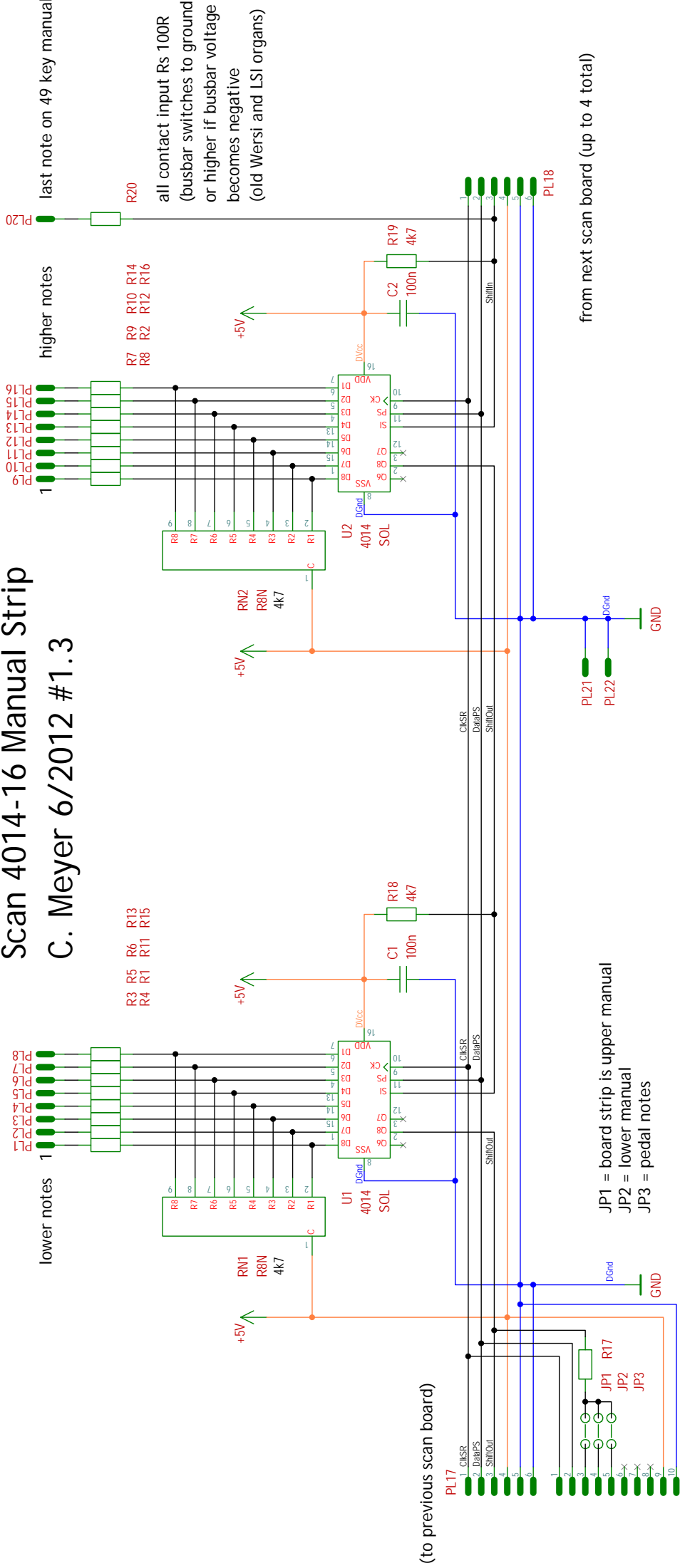


# Scan 4014-16 Manual Strip

## C. Meyer 6/2012 #1.3



last note on 49 key manual

higher notes

lower notes

all contact input Rs 100R  
(busbar switches to ground  
or higher if busbar voltage  
becomes negative  
(old Wersi and LSI organs)

from next scan board (up to 4 total)

JP1 = board strip is upper manual  
JP2 = lower manual  
JP3 = pedal notes

(to previous scan board)

PL19  
Scan Out