

HX3 Preset16 Version 2

by C. Meyer 11/2010, 06/2017

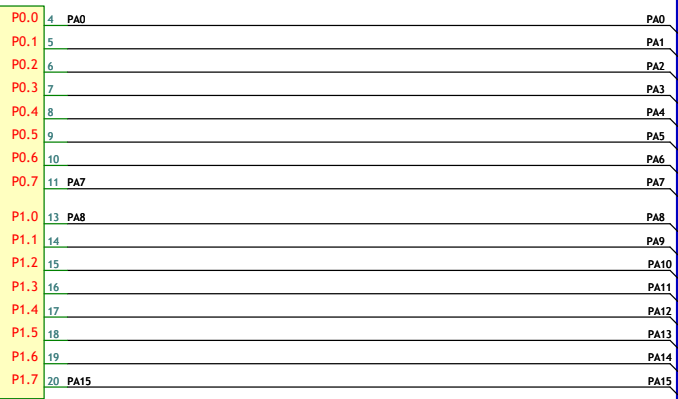
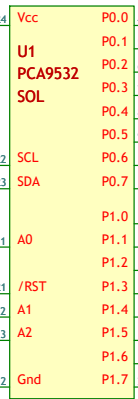
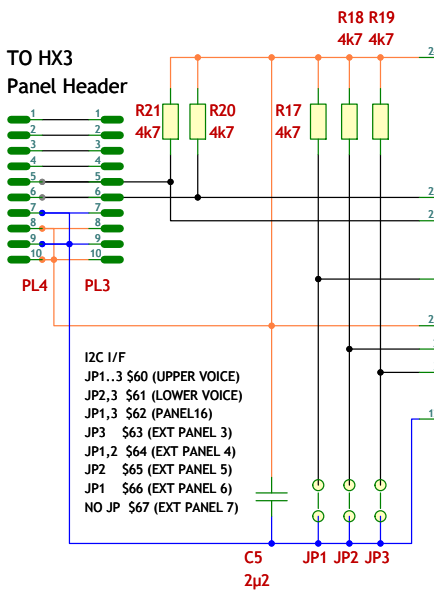
U1, PL3 and PL4 only needed for Preset16

TO HX3
Panel Header

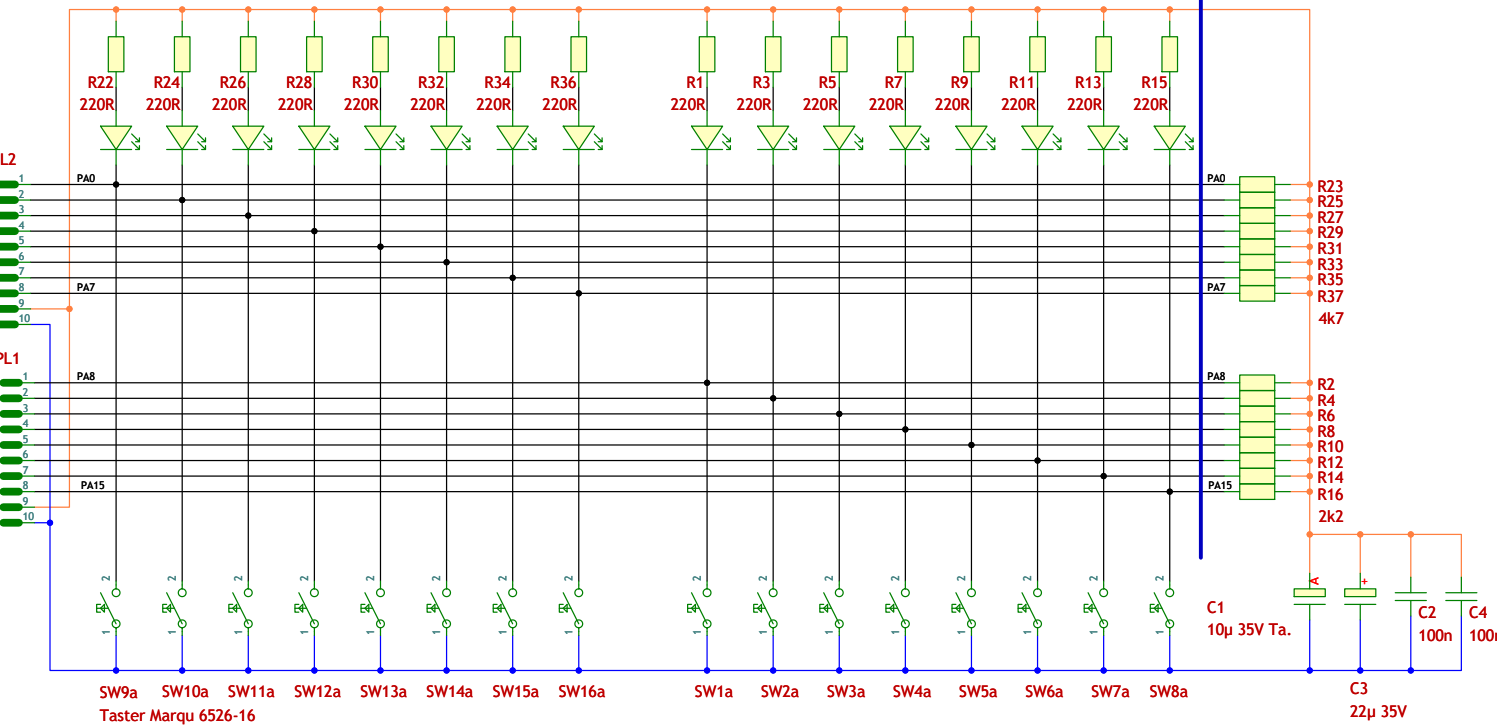


PL4 PL3

- I2C I/F
- JP1..3 \$60 (UPPER VOICE)
- JP2,3 \$61 (LOWER VOICE)
- JP1,3 \$62 (PANEL16)
- JP3 \$63 (EXT PANEL 3)
- JP1,2 \$64 (EXT PANEL 4)
- JP2 \$65 (EXT PANEL 5)
- JP1 \$66 (EXT PANEL 6)
- NO JP \$67 (EXT PANEL 7)



Board may either be connected as Preset Button Assembly to HX3 Panel header or used as Tab Switch Assembly (U1, PL3, PL4 omitted) LED resistors 2k2 for blue/white LEDs



Taster Marqu 6526-16

C3 22µ 35V