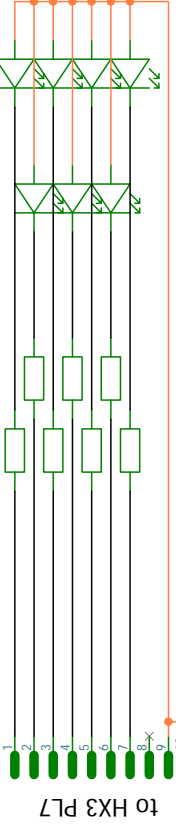
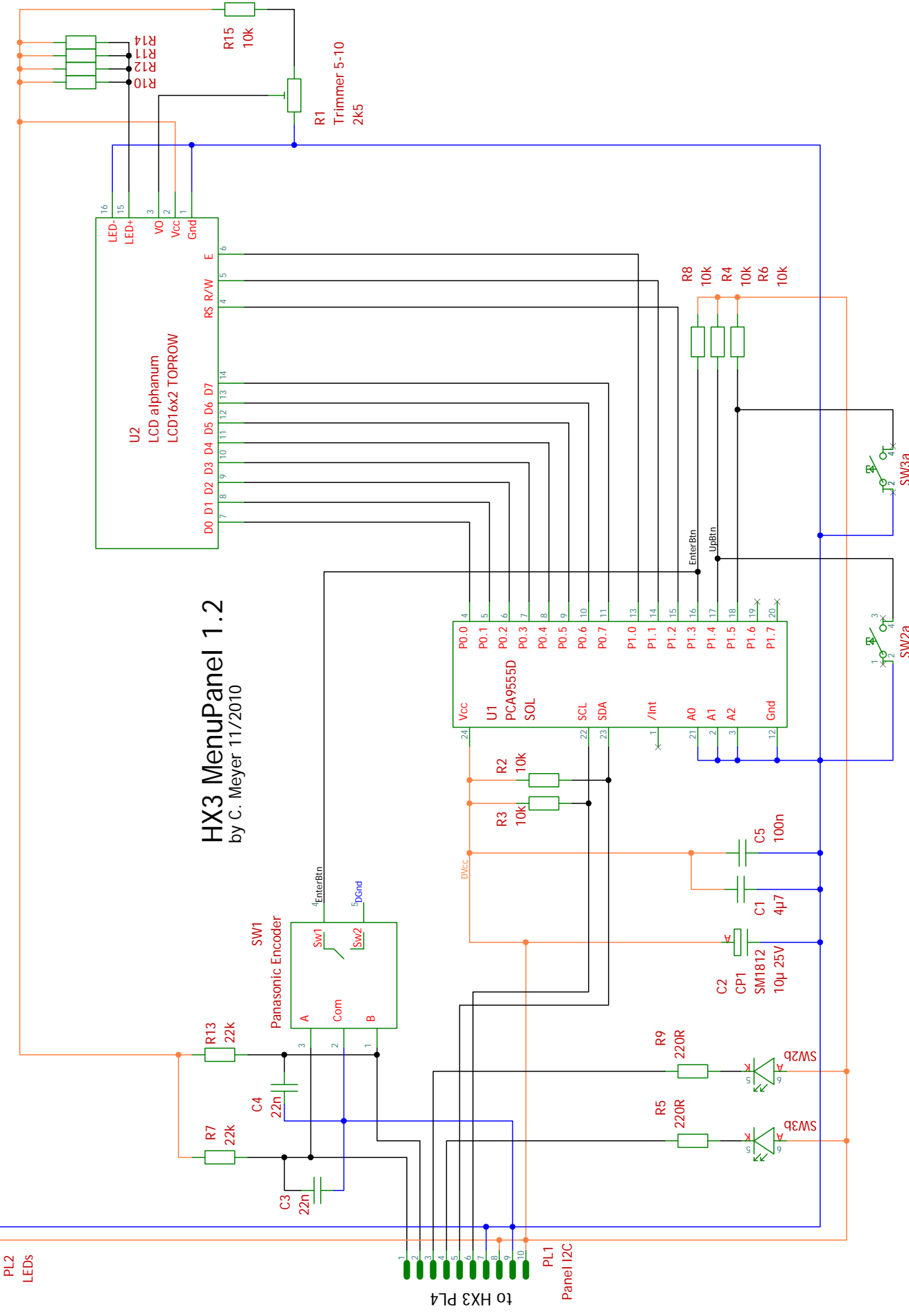


R16 R17 R18 R19 R20 R21 R22 LED1 LED5 LED2 LED7  
 470R 470R 470R 470R 470R 470R 470R blue or white



- 1: Perc ON, ilke B3
- 2: Perc SOFT
- 3: Perc FAST
- 4: Perc THIRD
- 5: Vib ON upper
- 6: Vib ON lower
- 7: Leslie ON (connected LED blinks with Leslie speed)



## HX3 MenuPanel 1.2

by C. Meyer 11/2010

to HX3 PL4  
 Panel I2C