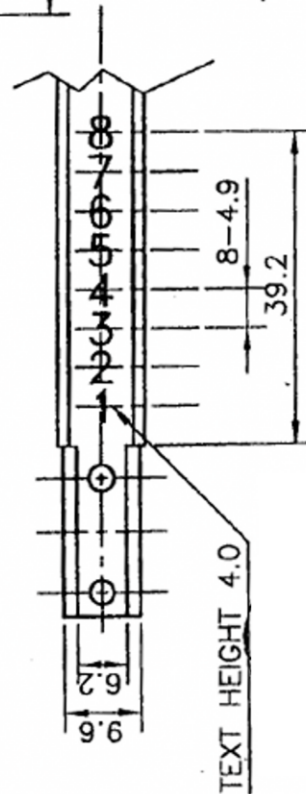
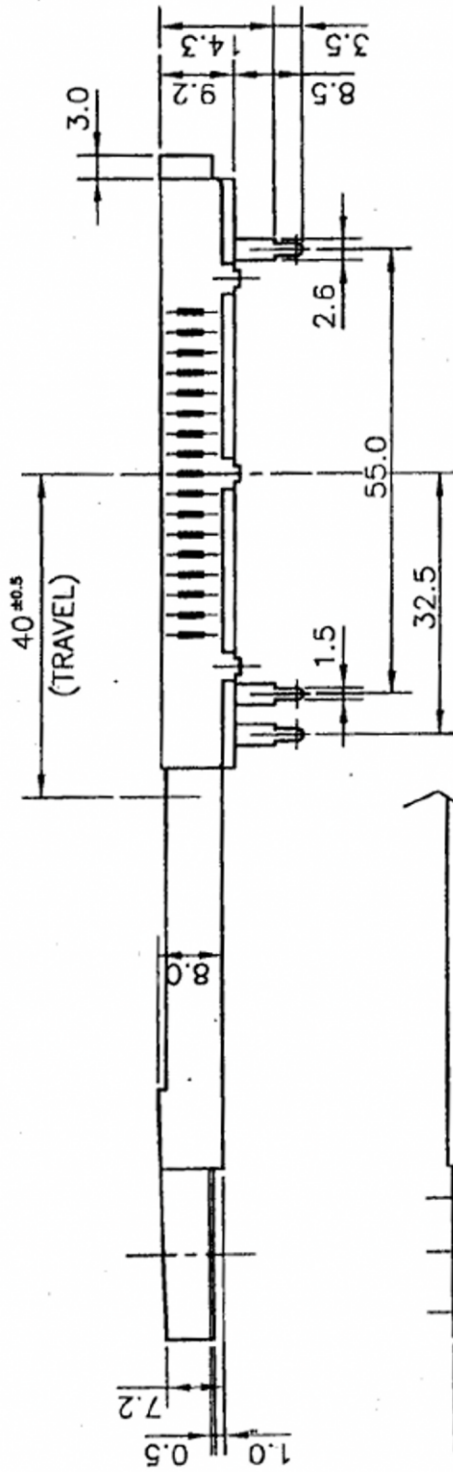
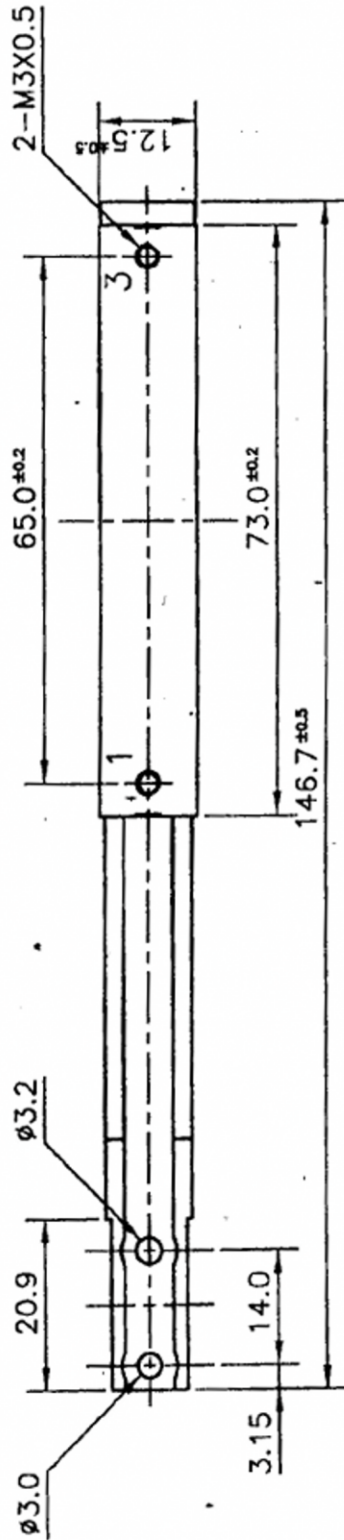
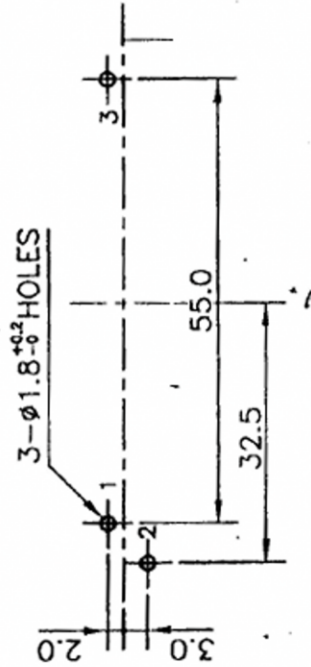


Drawbar-Potentiometer 10k/Linear



P.C.B. MOUNTING DETAIL



**KEY
BOARD
PARTNER**