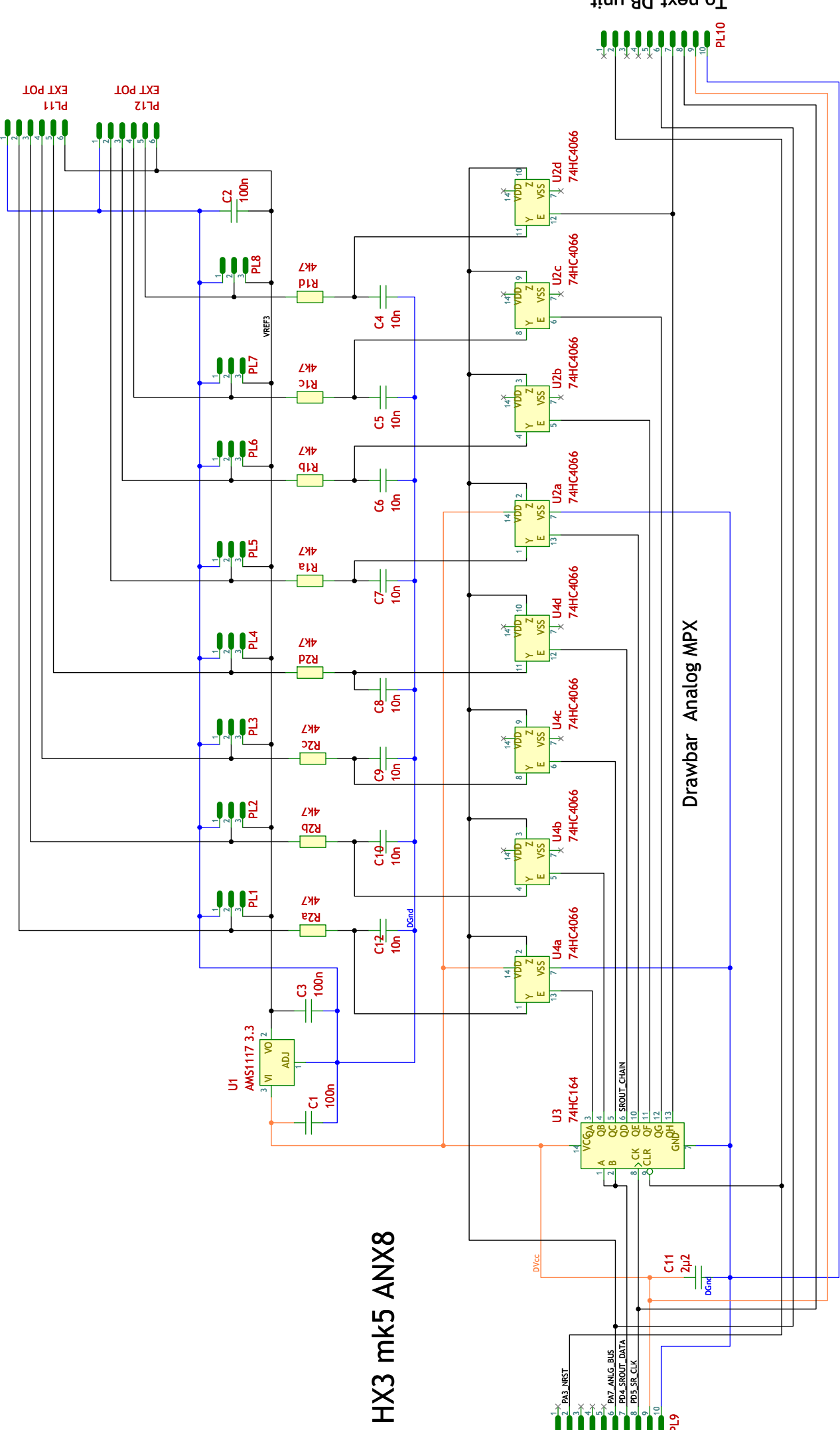


HX3 mk5 ANX8



From last DB unit or HX3.5 MPX input

Drawbar Analog MPX

To next DB unit