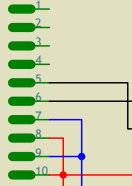


# LCD IF 2X16

TO HX3 PL4  
PANEL CONN

PL57  
TO HX3 PL4

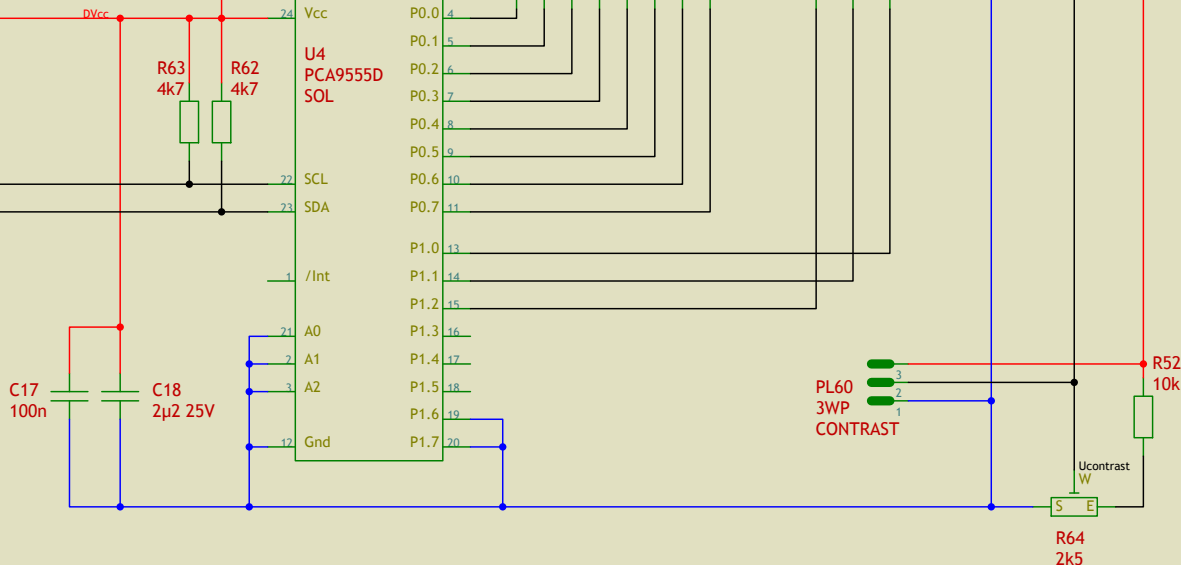


TO XB2  
POWER SUPPLY  
+5V DC

PL61  
5WP

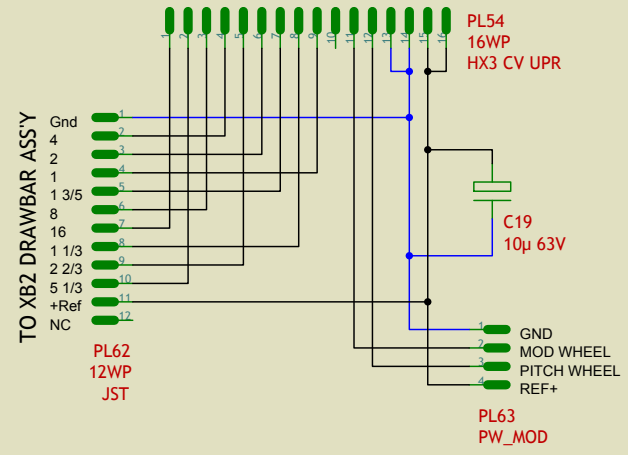
TO XB2  
POWER SUPPLY  
+5V DC

PL61  
5WP

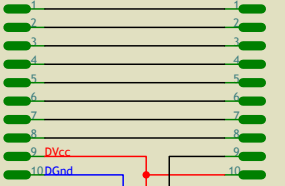


# XB2 Leslie I/F #3.0 (cm)

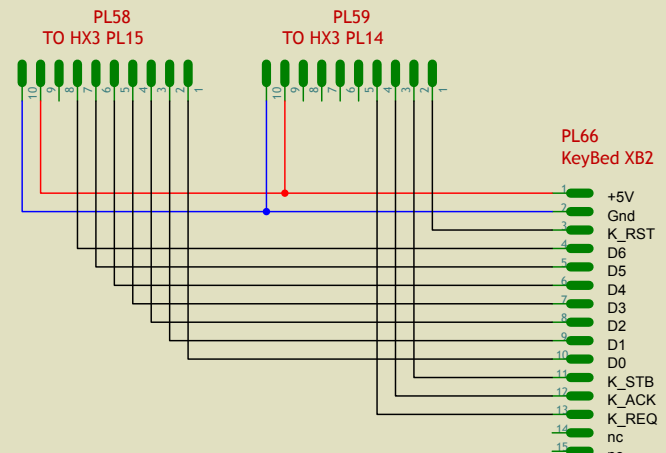
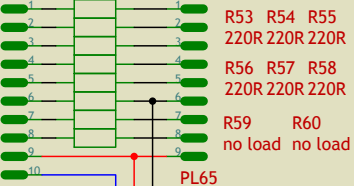
# XB2 Drawbar I/F



# XB2 Button IF



# XB2 LED IF



# XB2 Keyboard IF