

LCD IF 2X16

TO HX3 PL4
PANEL CONN

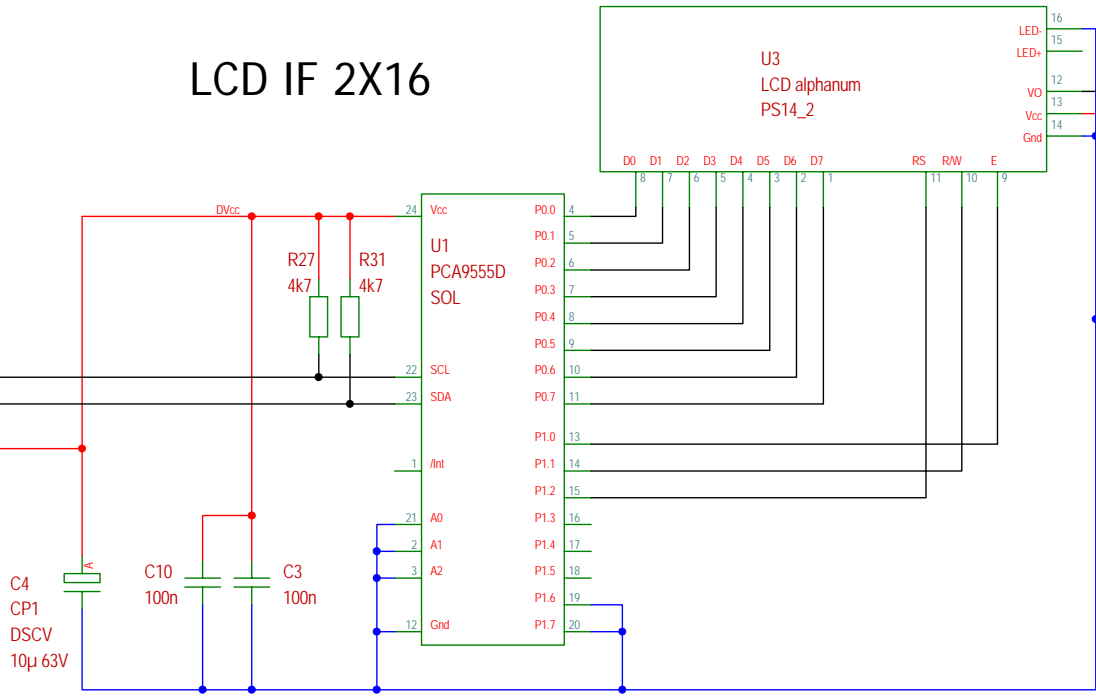
PL27
TO HX3 PL4



PL17
5WP
DSCV



TO XB2
POWER SUPPLY
+5V DC

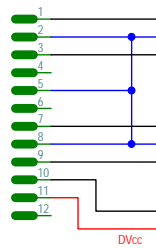


TO PL4
MIDI ADAPT
BOARD

OMIT R32 IF REAR
CONTRAST POT USED!

XB2 Drawbar I/F

PL1
PS12R
TO XB2 MIDI BOARD



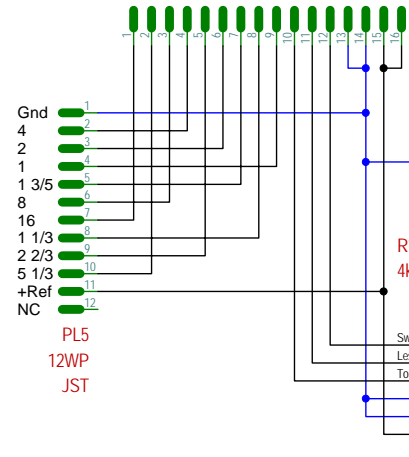
MIDI ADAPTER BOARD

PL2
PS3
TO HX3 MIDI OUT

PL3
PS3
TO HX3 MIDI IN

PL4
PS2
CONTRAST TO PL26

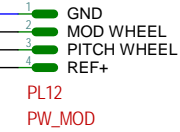
TO XB2 DRAWBAR ASS'Y



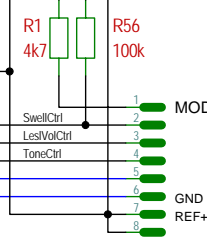
PL5
12WP
JST

PL10
16WP
HX3 CV UPR

TO XB2 PITCHWHEEL
(EXPR) & MOD (LES DRV)
OPTIONAL!



RIBBON CABLE
TO JACK BOARD



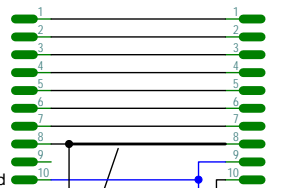
PL14
ANALOG CV

XB2 Leslie I/F

Digital Section

#1.3 (cm)

XB2 Button IF



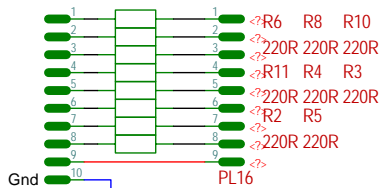
PL22
TO HX3 PL5

R18
220R

PL21
PM2_10

Wire JP on #1.1
PROTOTYPE PCB!

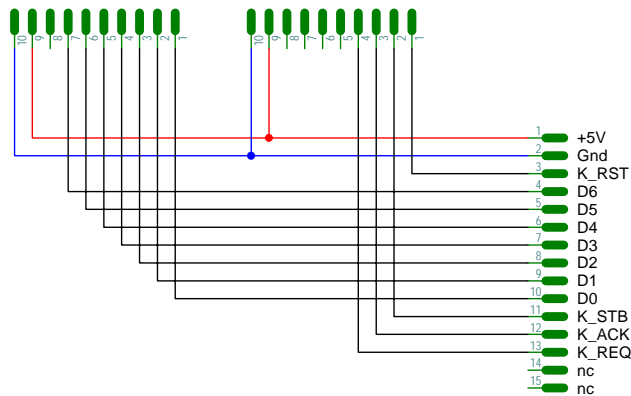
XB2 LED IF



PL16
9WP
PM2_9

PL29
TO HX3 PL15

PL31
TO HX3 PL14



PL30
KeyBed XB2