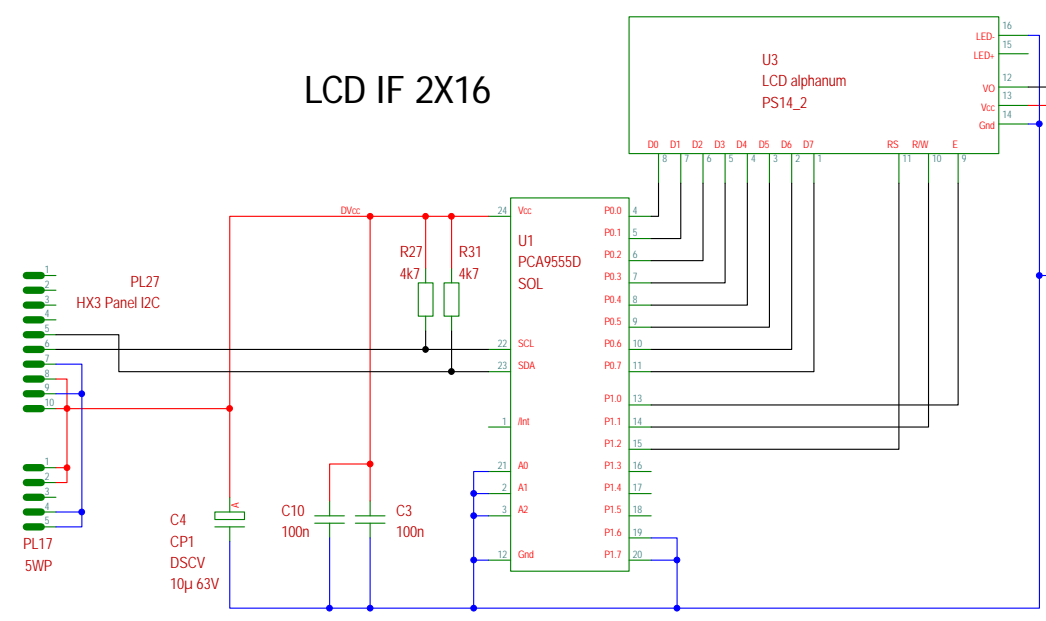
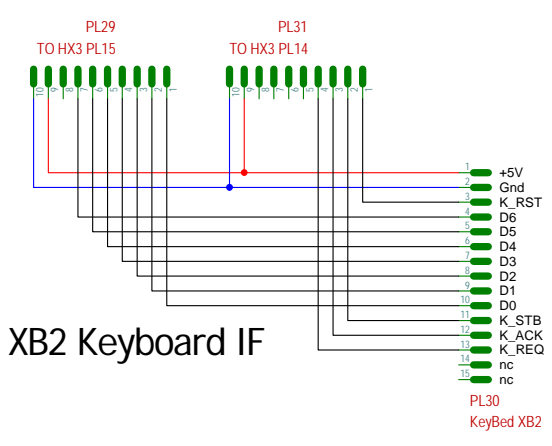
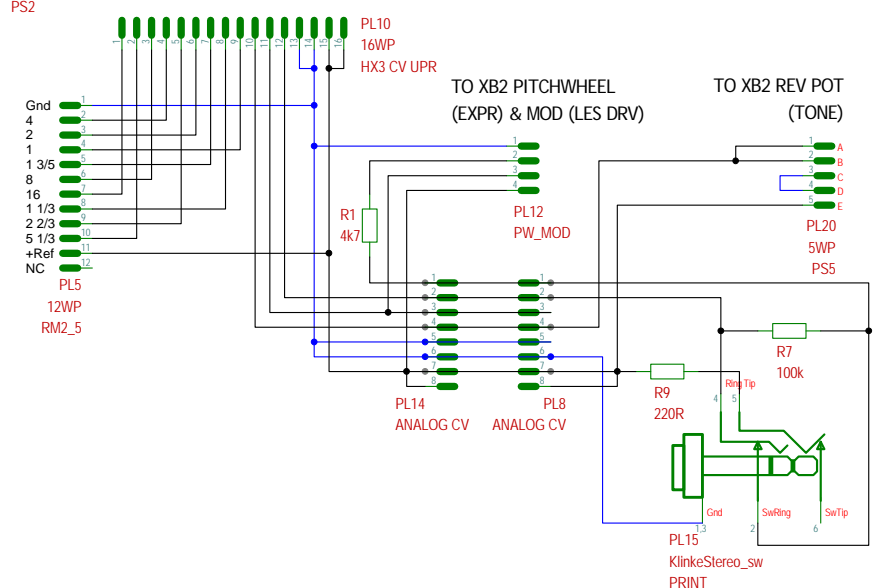


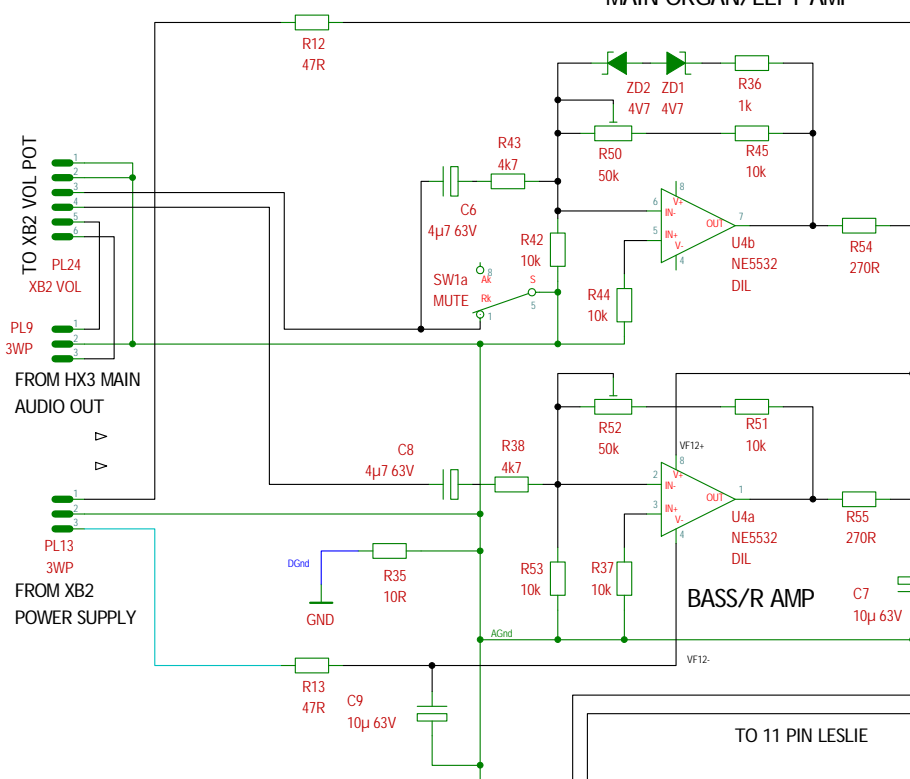
LCD IF 2X16



XB2 Drawbar I/F



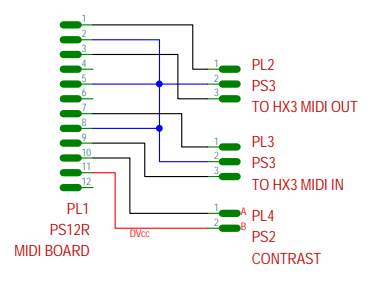
LESLIE DRIVE AMP



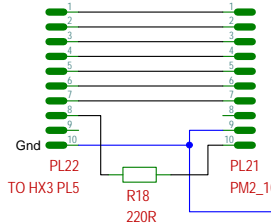
MAIN ORGAN/LEFT AMP

BASS/R AMP

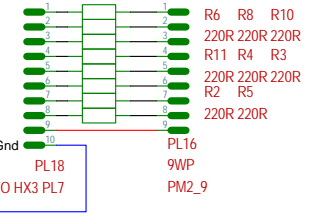
MIDI ADAPTER



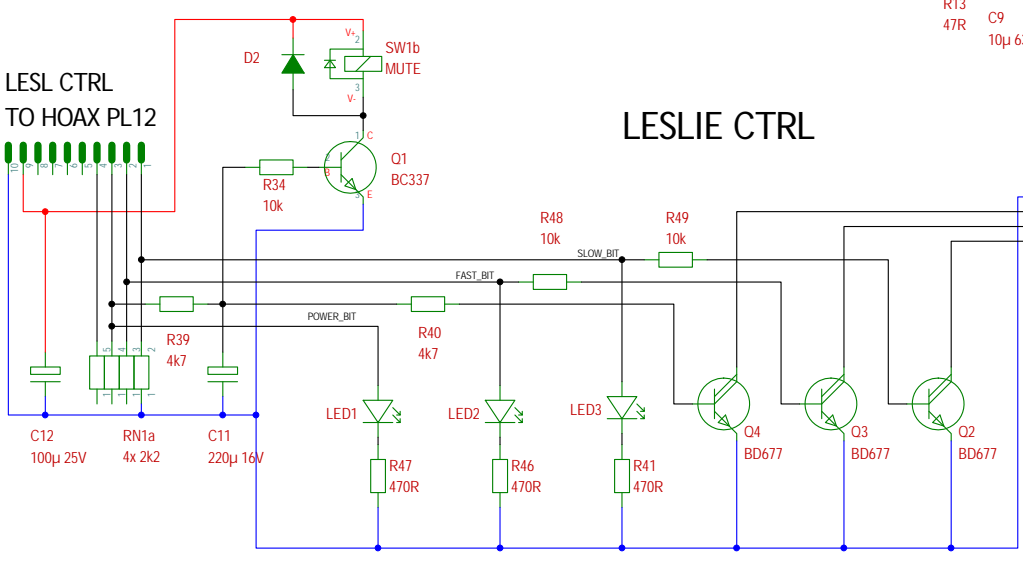
XB2 Button I/F



XB2 LED I/F



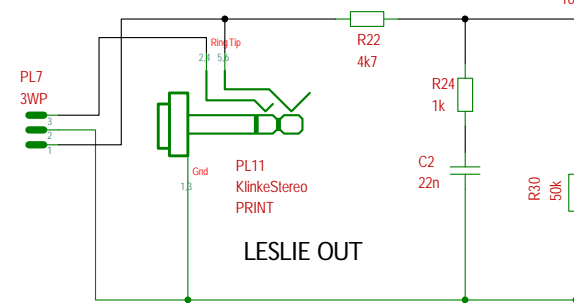
LESLIE CTRL



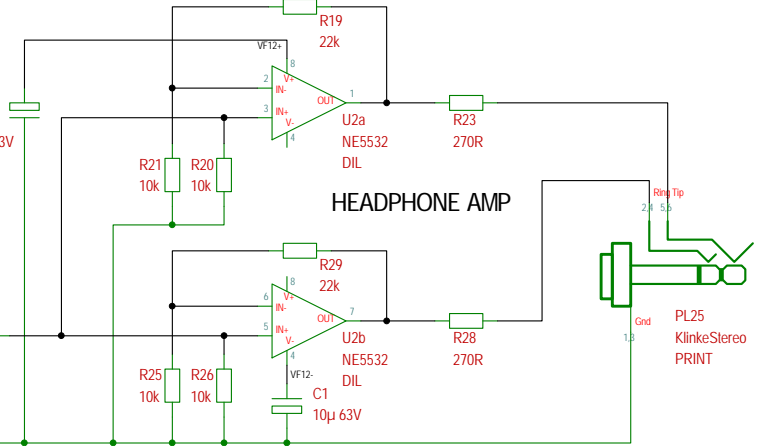
Connection to 11 pin Leslie
 pin 8 (slow)
 pin 7 (fast)
 pin 6 (power)
 pin 5 (common)
 pin 1 (rotary)
 pin 4 (Gnd)
 pin 2 (stationary)
 Set HX3 JP6 to STEREO

XB2 Leslie I/F #1.0 (cm)

LESLIE OUT



HEADPHONE AMP



AUDIO OUT

