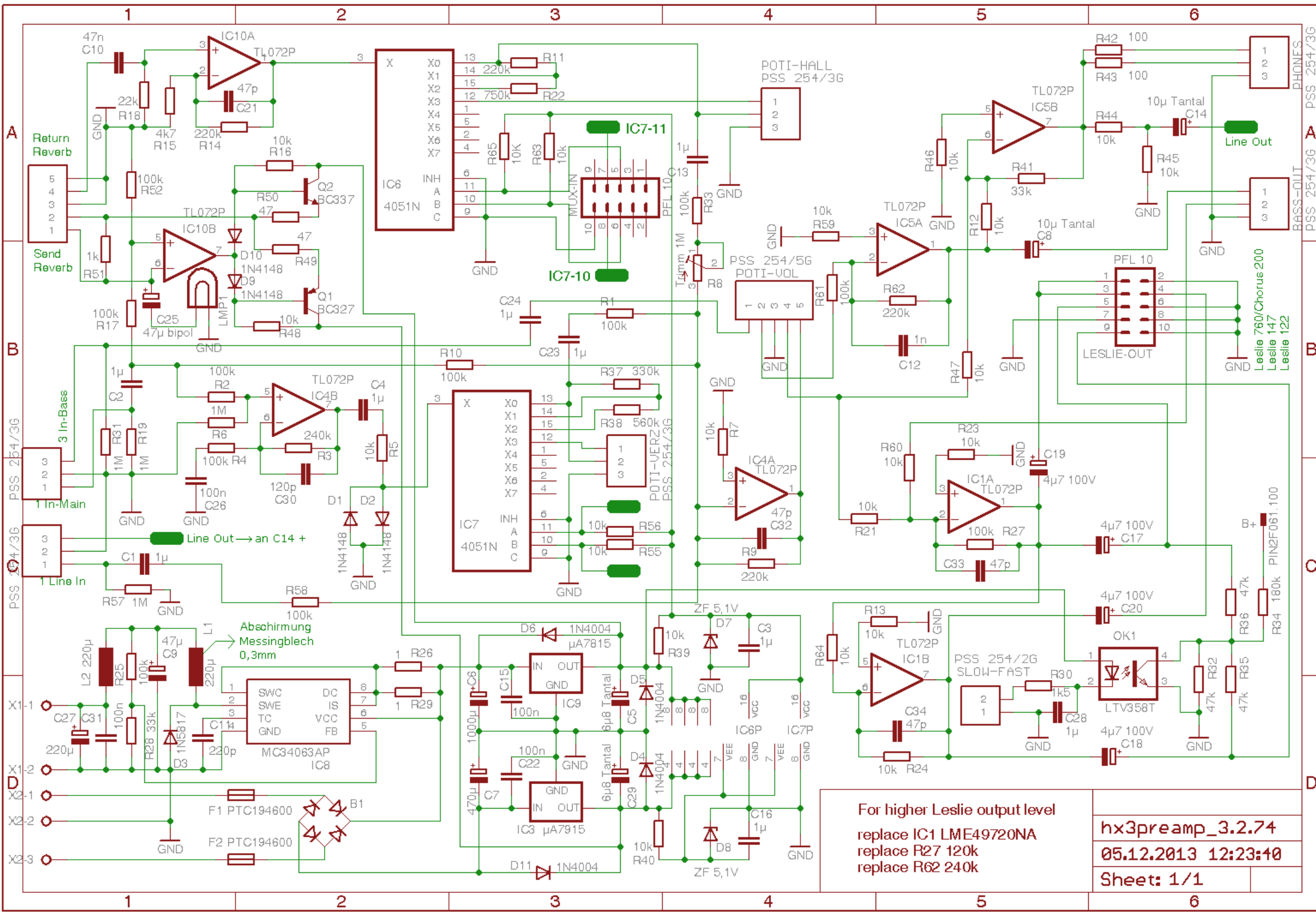


LINE-IN-OUT PSS 254/36
 MAIN-IN PSS 254/36
 RETURN REVERB PSS 254/56
 SEND REVERB PSS 254/56



For higher Leslie output level
 replace IC1 LME49720NA
 replace R27 120k
 replace R62 240k

hx3preamp_3.2.74
 05.12.2013 12:23:40
 Sheet: 1/1

PHONES PSS 254/36
 BASS-OUT PSS 254/36
 LESLIE-OUT Leslie 760/Chorus 200 Leslie 147 Leslie 122
 LINE-OUT → an C14 +
 PIN2F061.100