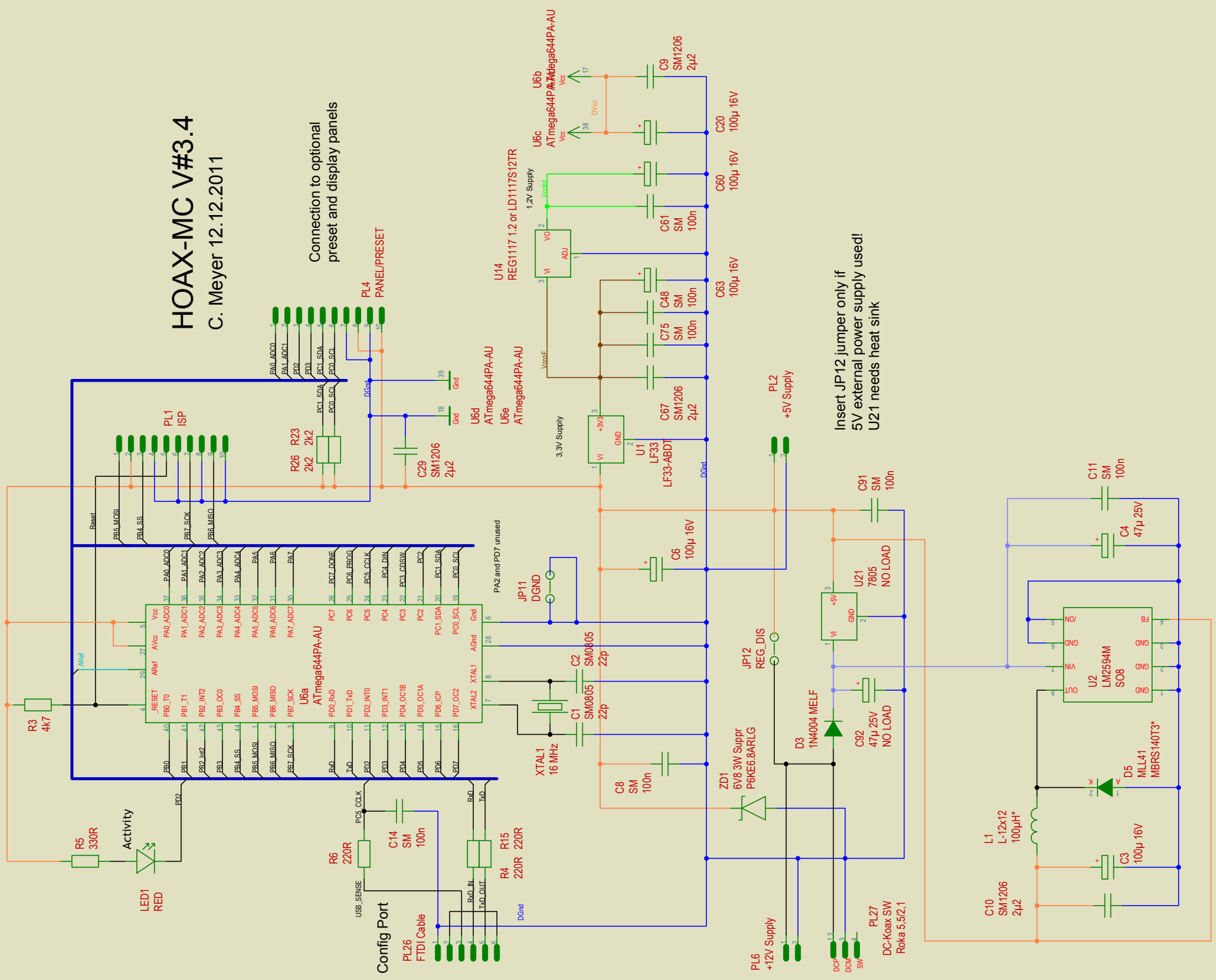


HOAX-MC V#3.4

C. Meyer 12.12.2011

Connection to optional
preset and display panels



Insert JP12 jumper only if
5V external power supply used!
U21 needs heat sink