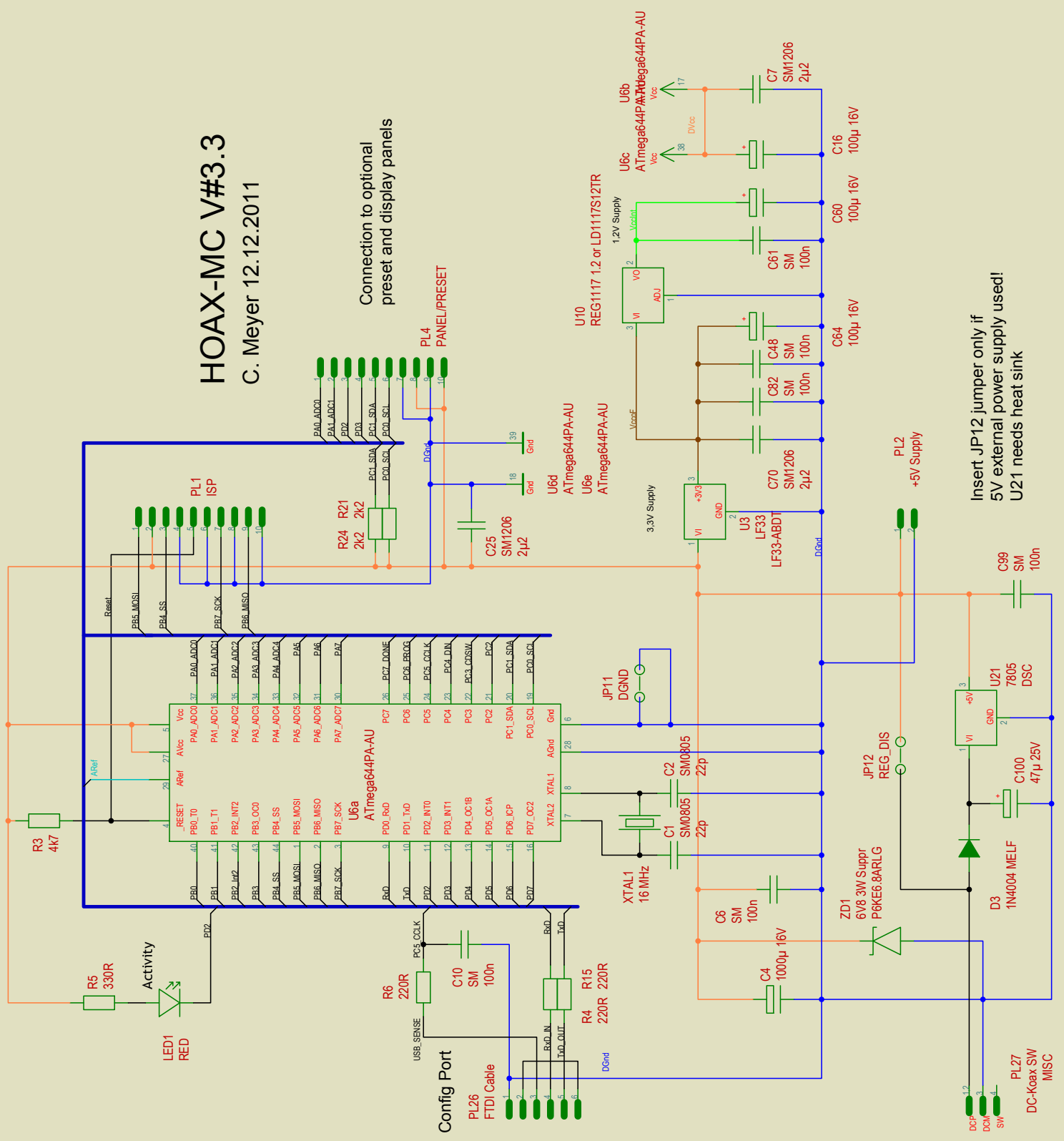


# HOAX-MC V#3.3

C. Meyer 12.12.2011

Connection to optional  
preset and display panels



Insert JP12 jumper only if  
5V external power supply used!  
U21 needs heat sink