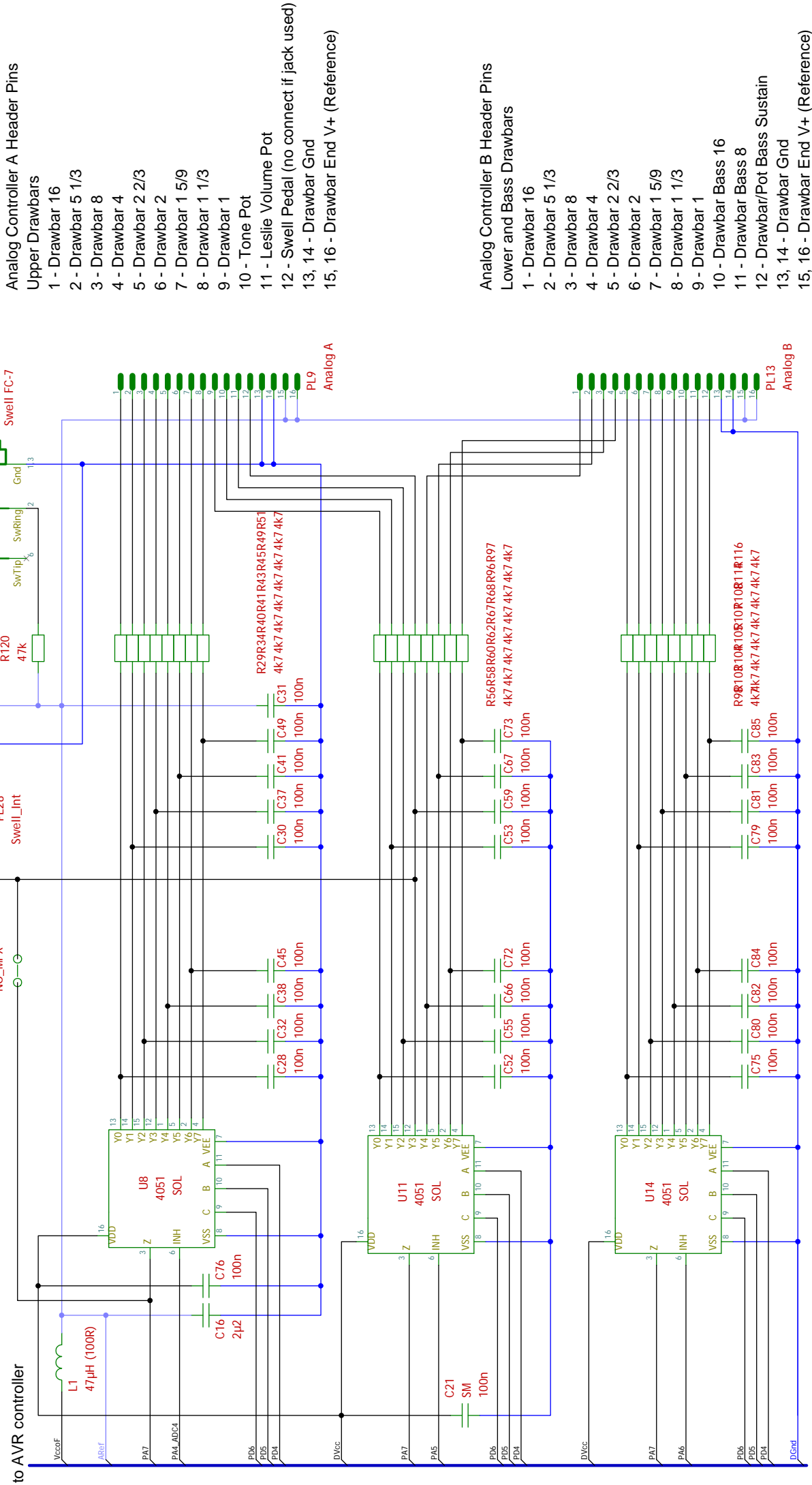


HOAX 3.2 Analog Controller Input



Analog Controller A Header Pins

- Upper Drawbars
- 1 - Drawbar 16
- 2 - Drawbar 5 1/3
- 3 - Drawbar 8
- 4 - Drawbar 4
- 5 - Drawbar 2 2/3
- 6 - Drawbar 2
- 7 - Drawbar 1 5/9
- 8 - Drawbar 1 1/3
- 9 - Drawbar 1
- 10 - Tone Pot
- 11 - Leslie Volume Pot
- 12 - Swell Pedal (no connect if jack used)
- 13, 14 - Drawbar Gnd
- 15, 16 - Drawbar End V+ (Reference)

Analog Controller B Header Pins

- Lower and Bass Drawbars
- 1 - Drawbar 16
- 2 - Drawbar 5 1/3
- 3 - Drawbar 8
- 4 - Drawbar 4
- 5 - Drawbar 2 2/3
- 6 - Drawbar 2
- 7 - Drawbar 1 5/9
- 8 - Drawbar 1 1/3
- 9 - Drawbar 1
- 10 - Drawbar Bass 16
- 11 - Drawbar Bass 8
- 12 - Drawbar/Pot Bass Sustain
- 13, 14 - Drawbar Gnd
- 15, 16 - Drawbar End V+ (Reference)