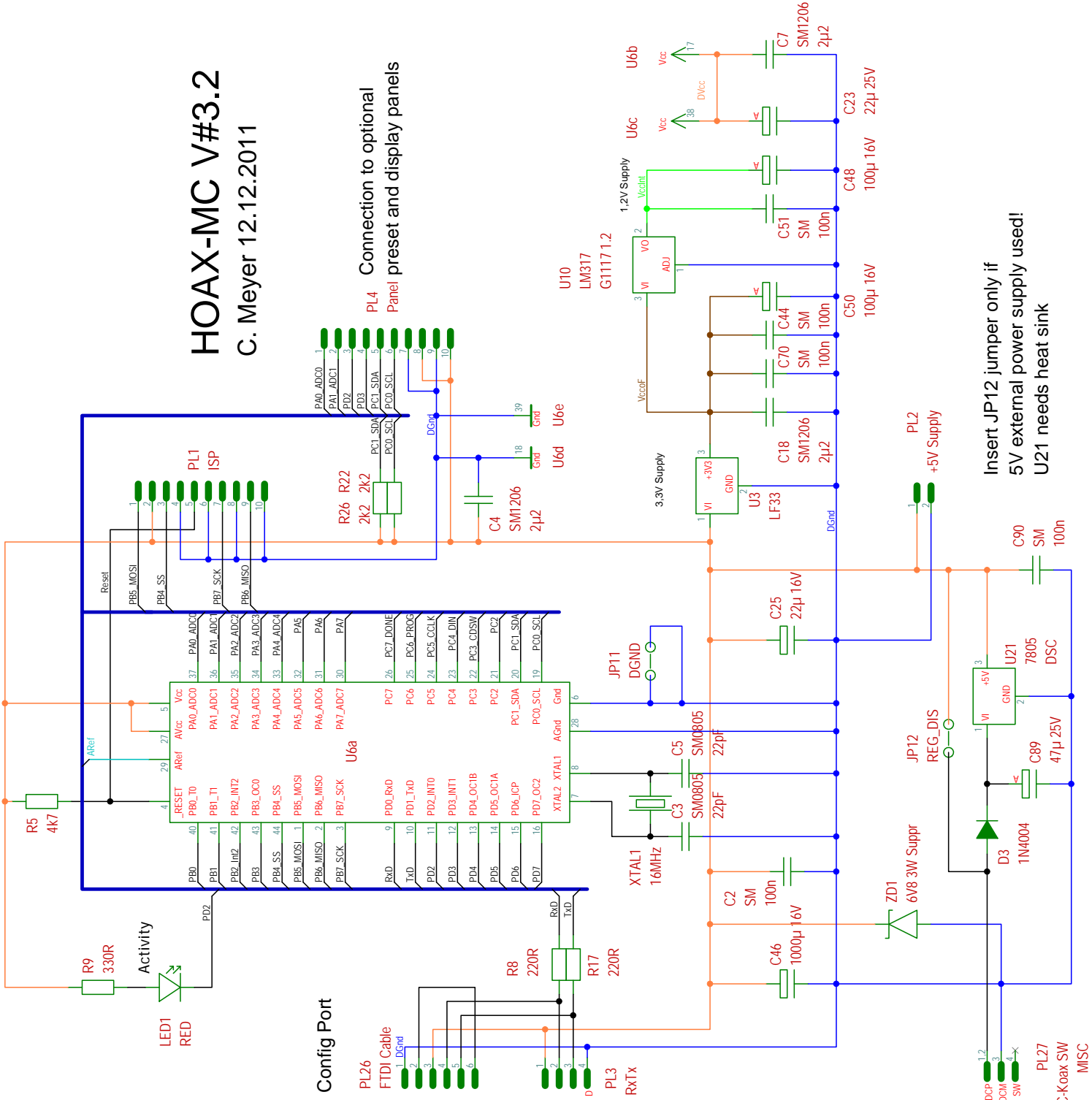


HOAX-MC V#3.2

C. Meyer 12.12.2011

Connection to optional
Panel preset and display panels



Insert JP12 jumper only if
5V external power supply used!
U21 needs heat sink

Config Port

PL26
FTDI Cable

PL3
RXTx

DC-Koax SW
MISC