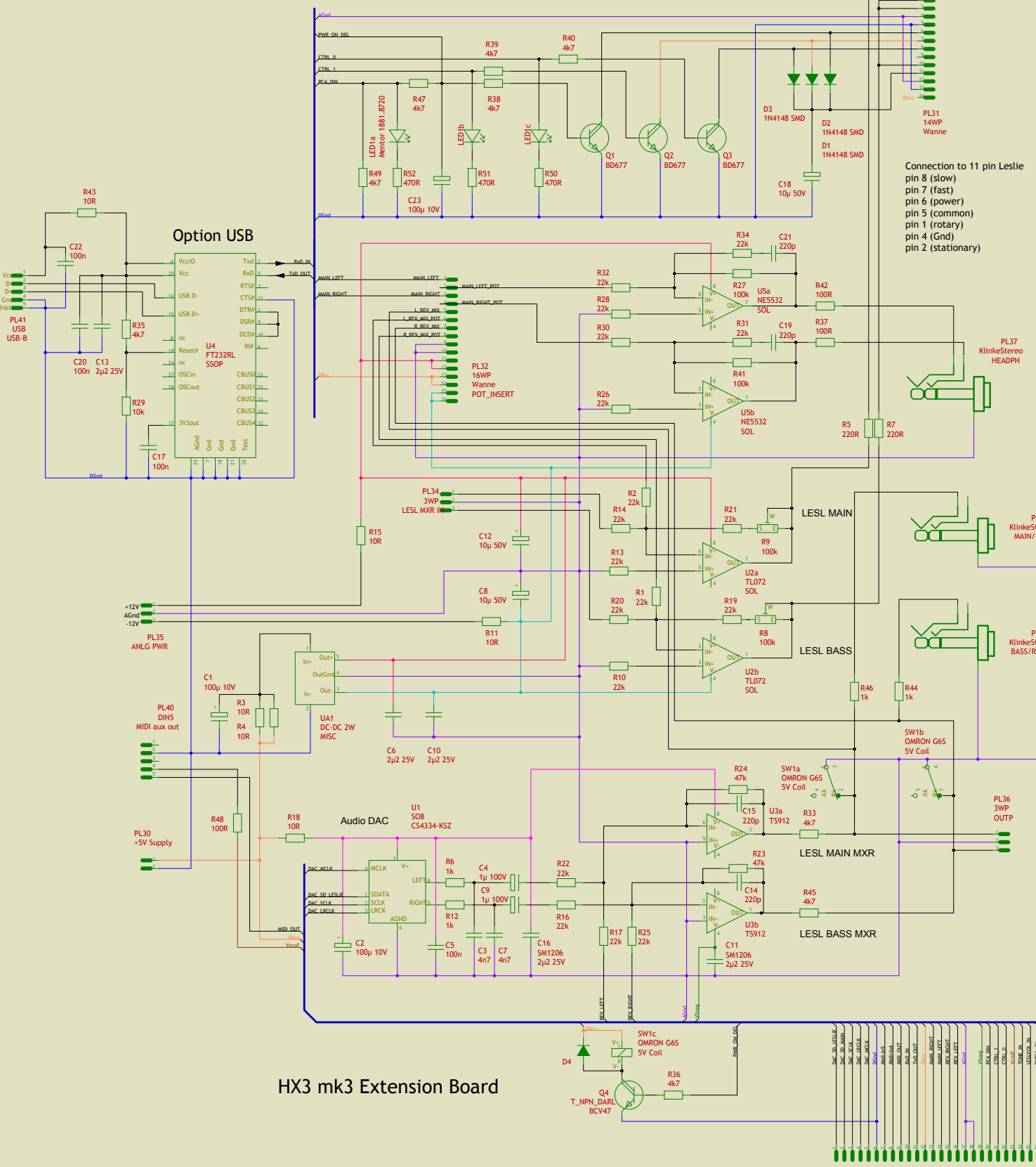
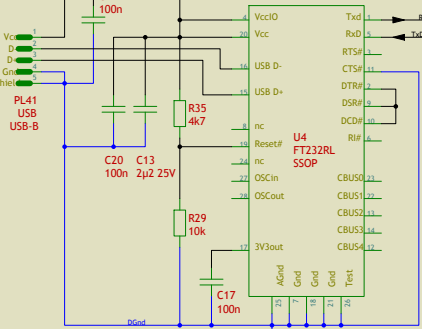


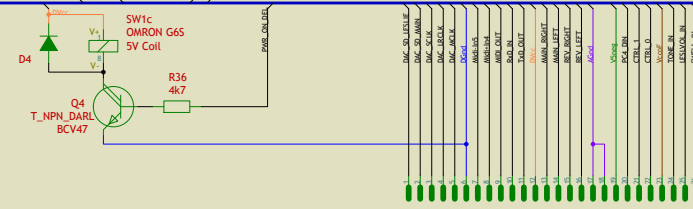
LESLIE CTRL



Option USB



HX3 mk3 Extension Board



Connection to 11 pin Leslie pin 8 (slow) pin 7 (fast) pin 6 (power) pin 5 (common) pin 1 (rotary) pin 4 (Gnd) pin 2 (stationary)

PL37 KlinkeStereo HEADPH

PL35 KlinkeStereo MAIN/LEF

PL33 KlinkeStereo BASS/RIG

PL33 EXTENSION BRD