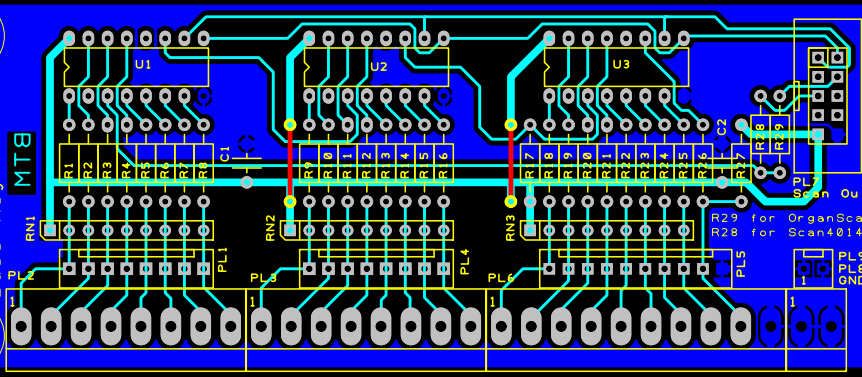


Lowest  
Bass Key

MTB



BA2252 1.3

XA0H  
3

R29 for OrganScan61  
R28 for Scan4014

PL3  
Scan Out

PL9  
PL8  
GND